



14Amps, 600 Volts N-CHANNEL MOSFET

■ DESCRIPTION

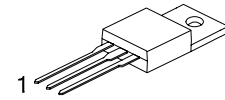
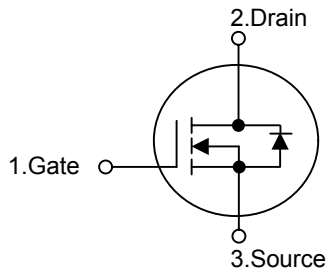
The YR14N60 are N-Channel enhancement mode power field effect transistors (MOSFET) which are produced using YR's proprietary, planar stripe, DMOS technology.

These devices are suited for high efficiency switch mode power supply. To minimize on-state resistance, provide superior switching performance, and withstand high energy pulse in the avalanche and commutation mode the advanced technology has been especially tailored.

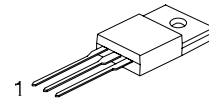
■ FEATURES

- * $R_{DS(ON)} = 0.65\Omega$ @ $V_{GS} = 10V$
- * Ultra low gate charge (typical 42 nC)
- * Low reverse transfer capacitance ($C_{RSS} =$ typical 25 pF)
- * Fast switching capability
- * Avalanche energy specified
- * Improved dv/dt capability, high ruggedness

■ SYMBOL



TO-220



TO-220F

*Pb-free plating product number:14N60

■ ABSOLUTE MAXIMUM RATINGS ($T_C = 25$, unless otherwise specified)

PARAMETER		SYMBOL	RATINGS	UNIT
Drain-Source Voltage	14N60	V_{DSS}	600	V
	14N65		650	V
Gate-Source Voltage		V_{GSS}	± 20	V
Avalanche Current (Note 1)		I_{AR}	14	A
Continuous Drain Current		I_D	14	A
Pulsed Drain Current (Note 1)		I_{DM}	48	A
Avalanche Energy	Single Pulsed (Note 2)	E_{AS}	900	mJ
	Repetitive (Note 1)	E_{AR}	24	mJ
Peak Diode Recovery dv/dt (Note 3)		dv/dt	10	V/ns
Junction Temperature		T_J	+150	
Operating Temperature		T_{OPR}	-55 ~ +150	
Storage Temperature		T_{STG}	-55 ~ +150	

Note: Absolute maximum ratings are those values beyond which the device could be permanently damaged.

Absolute maximum ratings are stress ratings only and functional device operation is not implied.

■ ELECTRICAL CHARACTERISTICS ($T_C = 25$, unless otherwise specified)

PARAMETER		SYMBOL	TEST CONDITIONS	MIN	TYP	MAX	UNIT
OFF CHARACTERISTICS							
Drain-Source Breakdown Voltage	12N60	BV_{DSS}	$V_{GS} = 0 V, I_D = 250 \mu A$	600			
	12N65			650			V
Drain-Source Leakage Current		I_{DSS}	$V_{DS} = 600 V, V_{GS} = 0 V$			10	μA
Gate-Source Leakage Current		I_{GSS}	$V_{GS} = \pm 20 V, V_{DS} = 0 V$			± 100	nA
Breakdown Voltage Temperature Coefficient		BV_{DSS}/T_J	$I_D = 250 \mu A$, Referenced to 25°C		0.7		V/
ON CHARACTERISTICS							
Gate Threshold Voltage		$V_{GS(TH)}$	$V_{DS} = V_{GS}, I_D = 250 \mu A$	2.0		4.0	V
Static Drain-Source On-State Resistance		$R_{DS(ON)}$	$V_{GS} = 10V, I_D = 7.0A$		0.55	0.65	Ω
DYNAMIC CHARACTERISTICS							
Input Capacitance		C_{ISS}	$V_{DS} = 25 V, V_{GS} = 0 V, f = 1MHz$		1480	1900	pF
Output Capacitance		C_{OSS}			200	270	pF
Reverse Transfer Capacitance		C_{RSS}			25	35	pF
SWITCHING CHARACTERISTICS							
Turn-On Delay Time		$t_{D(ON)}$	$V_{DD} = 300V, I_D = 14A, R_G = 25\Omega$ (Note 4, 5)		30	70	ns
Turn-On Rise Time		t_R			115	240	ns
Turn-Off Delay Time		$t_{D(OFF)}$			95	200	ns
Turn-Off Fall Time		t_F			85	180	ns
Total Gate Charge		Q_G			42	54	nC
Gate-Source Charge		Q_{GS}	$V_{DS} = 480V, I_D = 14A, V_{GS} = 10 V$ (Note 4, 5)		8.6		nC
Gate-Drain Charge		Q_{GD}			21		nC
SOURCE- DRAIN DIODE RATINGS AND CHARACTERISTICS							
Drain-Source Diode Forward Voltage		V_{SD}	$V_{GS} = 0 V, I_S = 14A$			1.4	V
Maximum Continuous Drain-Source Diode Forward Current		I_S				14	A
Maximum Pulsed Drain-Source Diode Forward Current		I_{SM}				48	A
Reverse Recovery Time		t_{RR}	$V_{GS} = 0 V, I_S = 14A,$		380		ns
Reverse Recovery Charge		Q_{RR}	$di/dt = 100 A/\mu s$ (Note 4)		3.5		μC

Notes: 1. Repetitive Rating : Pulse width limited by maximum junction temperature

2. $L = 10mH, I_{AS} = 14A, V_{DD} = 50V, R_G = 25\Omega$, Starting $T_J = 25^\circ C$

3. $I_{SD} \leq 14A, di/dt \leq 200A/s, V_{DD} \leq BV_{DSS}$ Starting $T_J = 25^\circ C$

4. Pulse Test : Pulse width $\leq 300\mu s$, Duty cycle $\leq 2\%$

5. Essentially independent of operating temperature.

■ TEST CIRCUITS AND WAVEFORMS

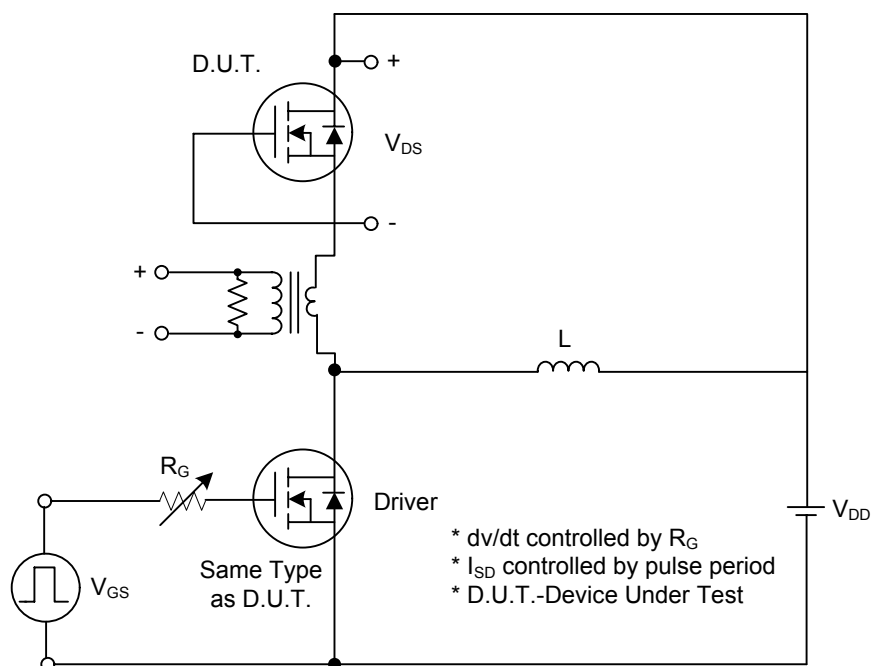


Fig. 1A Peak Diode Recovery dv/dt Test Circuit

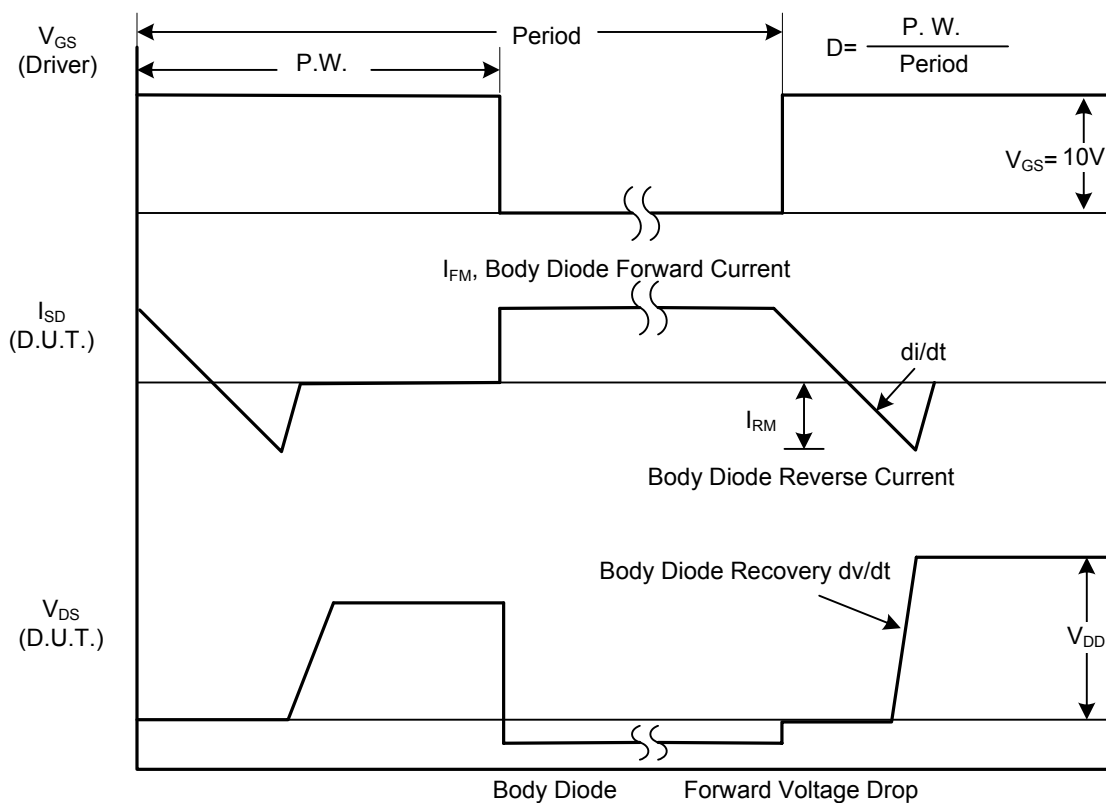


Fig. 1B Peak Diode Recovery dv/dt Waveforms

■ TEST CIRCUITS AND WAVEFORMS (Cont.)

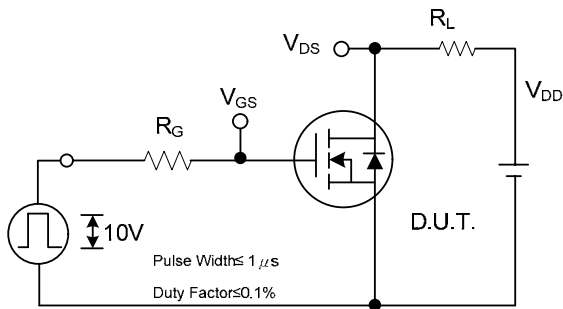


Fig. 2A Switching Test Circuit

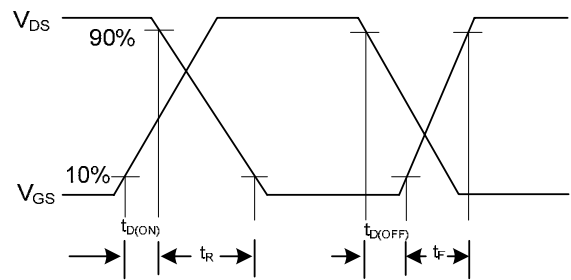


Fig. 2B Switching Waveforms

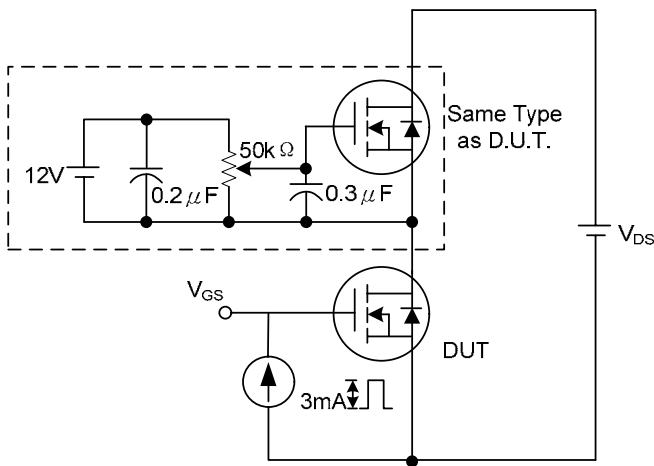


Fig. 3A Gate Charge Test Circuit

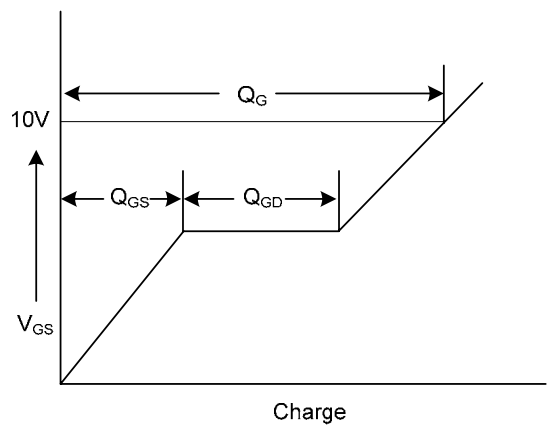


Fig. 3B Gate Charge Waveform

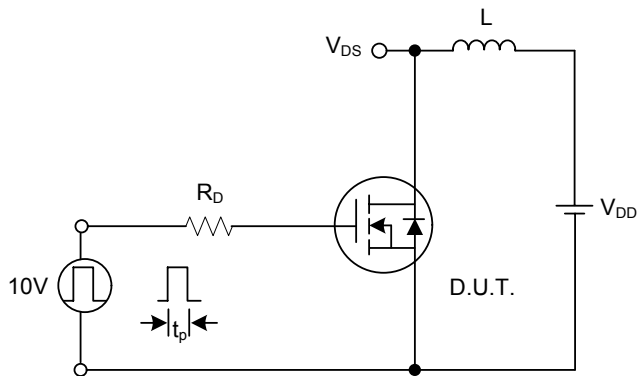


Fig. 4A Unclamped Inductive Switching Test Circuit

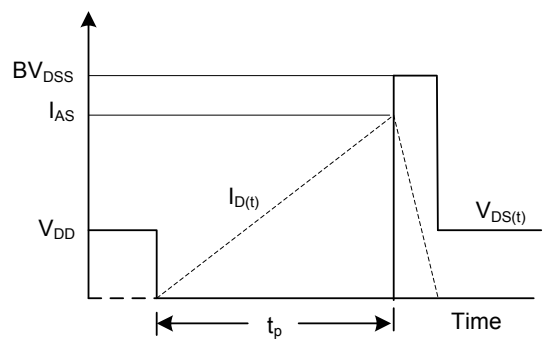
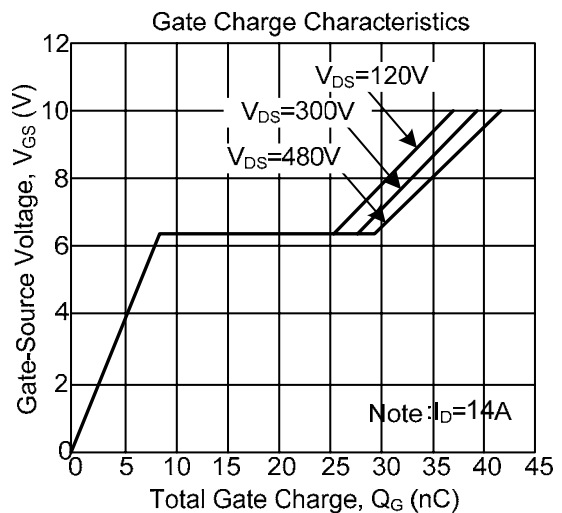
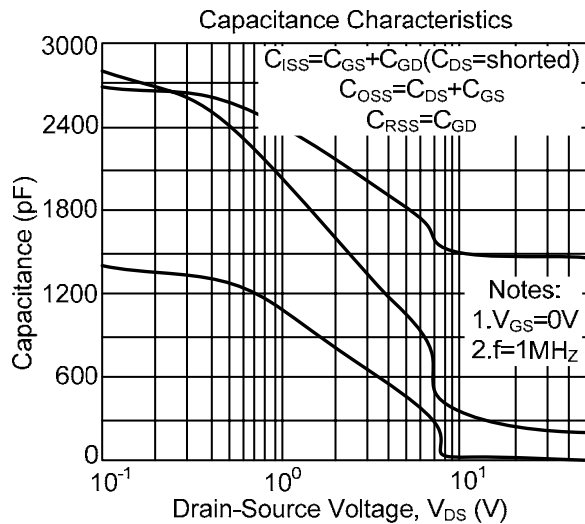
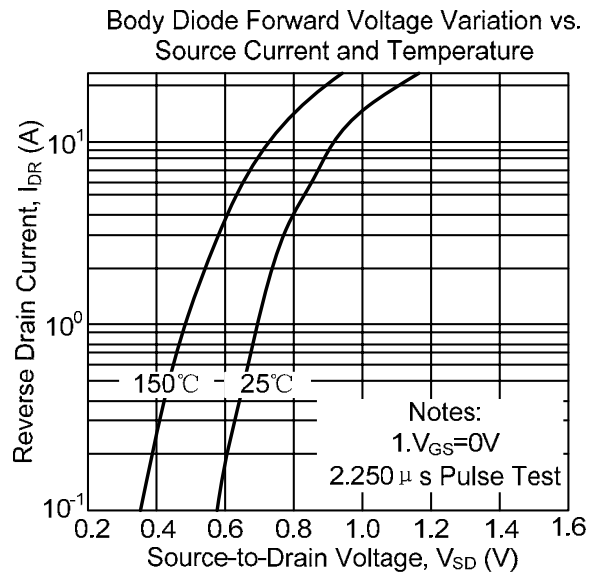
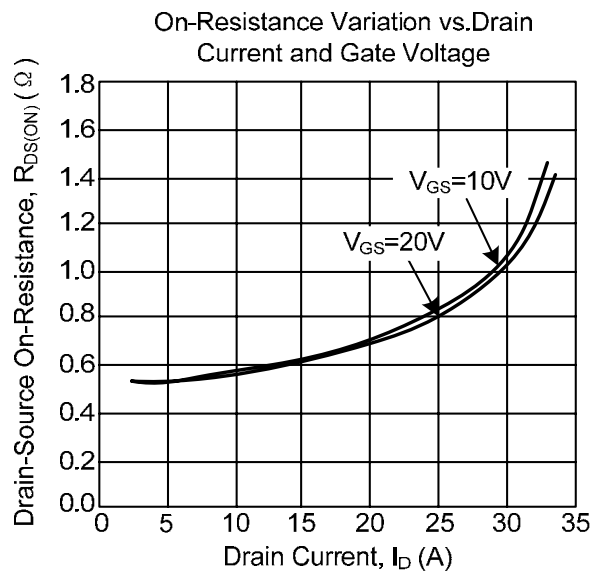
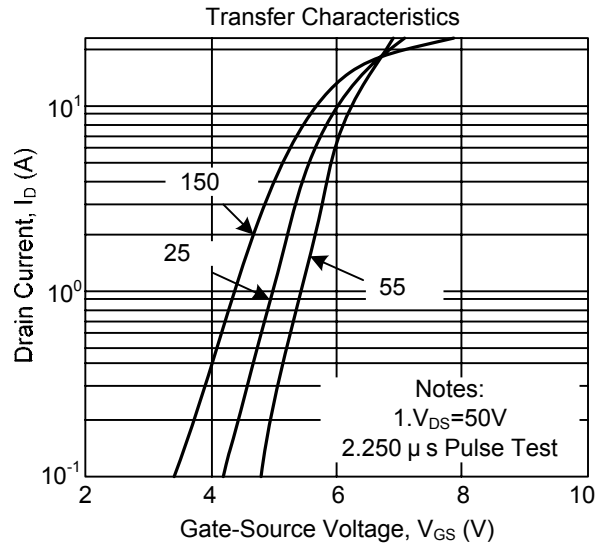
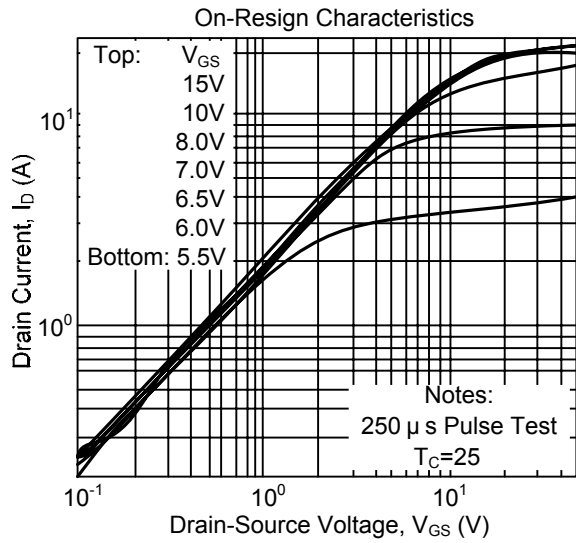


Fig. 4B Unclamped Inductive Switching Waveforms

■ TYPICAL CHARACTERISTICS



■ TYPICAL CHARACTERISTICS

